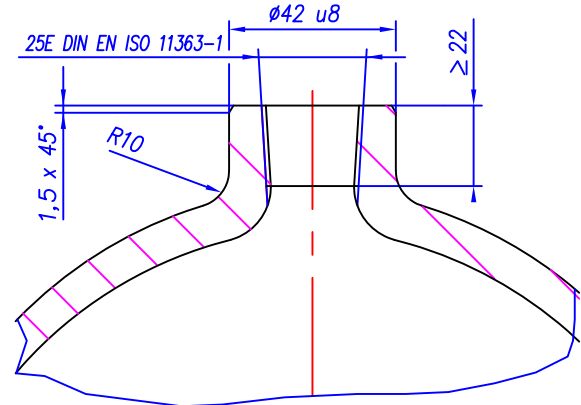
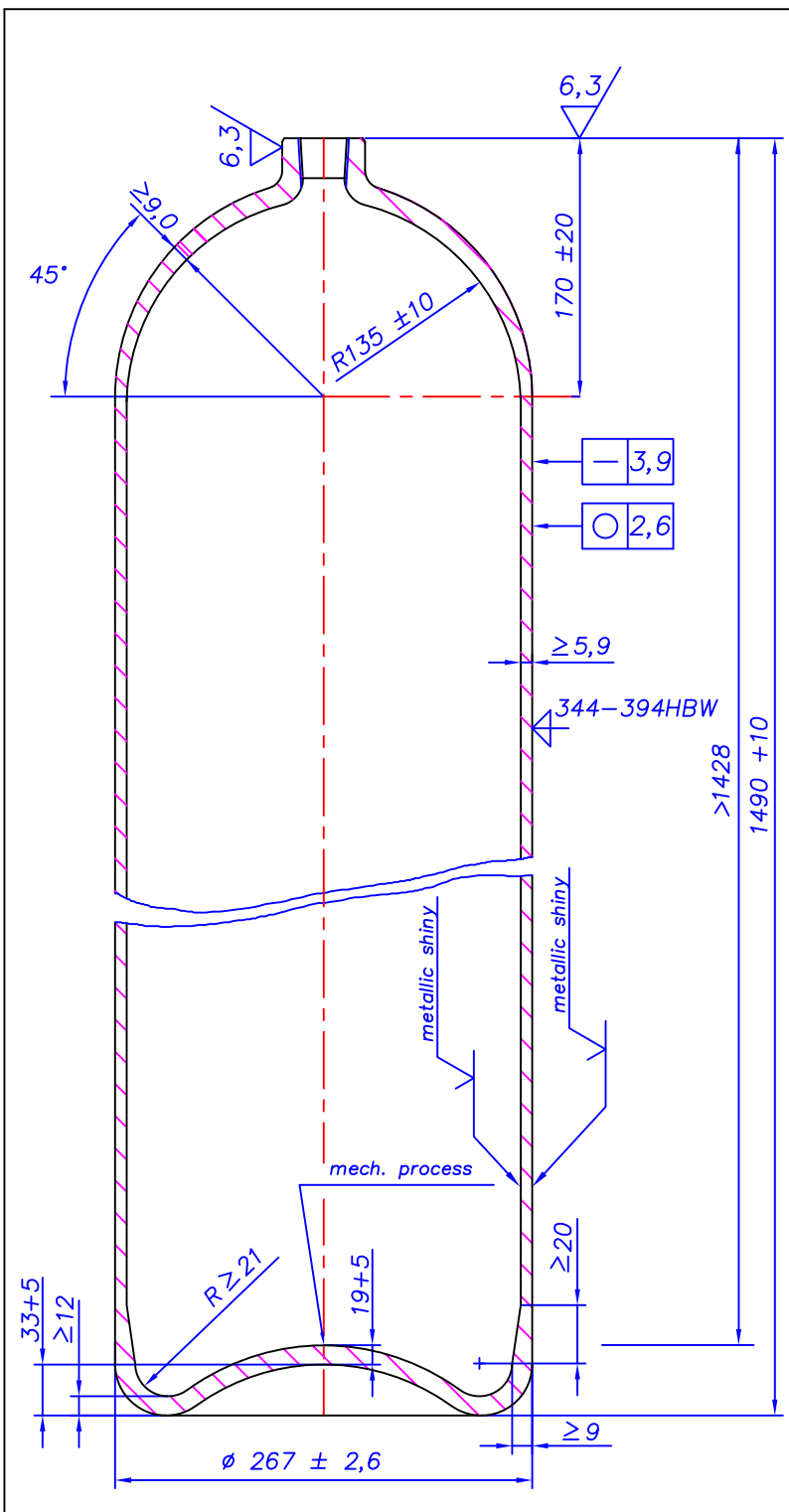



| size limit | allowance |
|------------|--------------------|
| 42 u8 | + 0,109 + 0,070 |
| | |
| | |



| | | | | |
|---|-------------------|---|---|--|
| hydro pressure test: Ph min. 30 s | ultrasonic test | Pb ≥ 480 bar | Py ≥ 397 bar | |
| Reg 800 MPa | Rm 930 - 1099 MPa | A > max{12500/Rm; 14}% | | |
| (name of gas) Permanent and liquefied gases (except Methane, H2, CO and mixtures thereof) | | (allowance) DIN ISO 2768 - grob - | on a scale of ---- weight appr. 76 kg | |
| | | 2017 date | (material, semifinished part) 34CrMo4 (S<0,01%, P<0,02%, S+P<0,025%) R 267 x (6,0-6,3) (Mw.+31%) DIN EN 10297-1 | |
| | | editing: 27.03. | (description) Cylinder body 67,5l | |
| | | constr.: | | |
| | | techn.: | | |
| | | (company) | (test pressure) 300 bar | (regulation) DIN EN ISO 9809-1:2010/ ISO 9809-1:2010 (RL2010/35/EU) 0090/EN122/09 |
| | |  eurocylinder systems | (drawing number) 13 052 581 7 e | |
| | | | repl. of 02.12.2015 | |