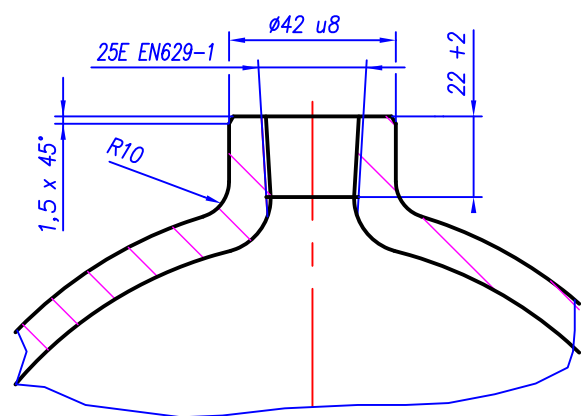
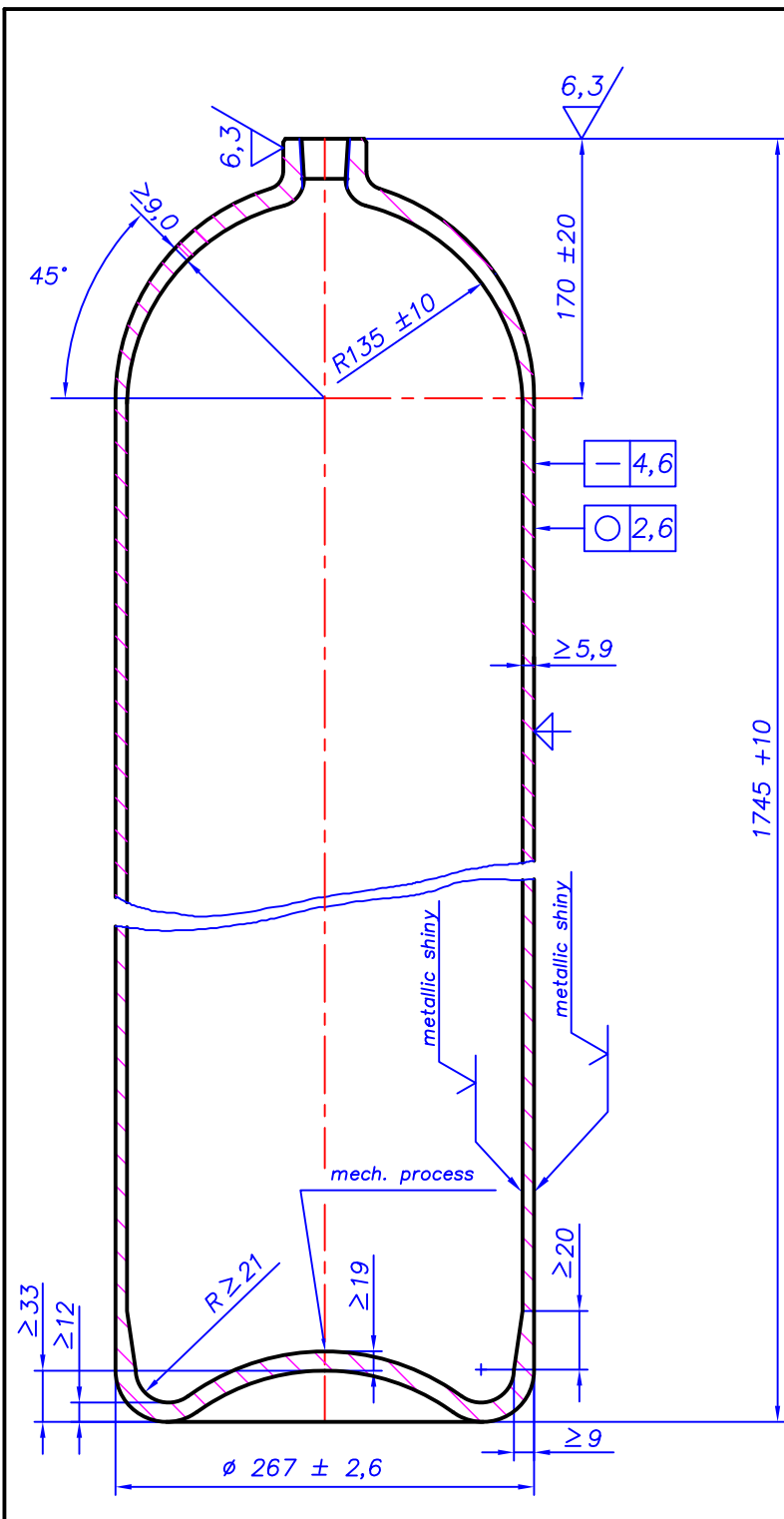


size limit	allowance
42 u8	+ 0,109 + 0,070



heat treatment		
tempering:	temperature: 880 °C	time: 12 minutes
quenching:	water while adding polymer	
annealing:	temperature: 570°C	time: 50 minutes

hydro pressure test: Ph min. 30 s	ultrasonic test	Pb ≥ 480 bar	Py ≥ 397 bar
--------------------------------------	-----------------	--------------	--------------

Re 800 MPa	Rg 930 - 1099 MPa	A > max{12500/Rm; 14}%
------------	-------------------	------------------------

(name of gas) Permanent and liquefied gases (except Methane, H ₂ , CO and mixtures thereof)	(allowance) DIN ISO 2768 - grob -	on a scale of ----	weight appr. 93 kg
--	---	--------------------	--------------------

2015	date	name	(description)
editing: 02.12.		Seifert	Flaschenkörper 80l
constr.:			
techn.:			

(test pressure) 300 bar	(regulation) DIN EN ISO9809-1: 2010 (Zulassungs-Nr.) 0090/EN122/09
----------------------------	---

(drawing number) 13 052 583 3 e

